

HANG'EM HIGH

GUITAR HANGERS®
patent pending

Thank you for purchasing a Hang'em High Guitar Hanger.

Please follow these guidelines for installing your Hang'em High guitar hanger.

www.hangemhigh.net

<http://stores.ebay.com/hang-em-high-guitar-hangers>



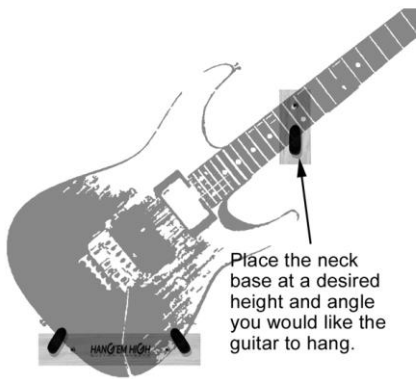
Before you begin you will be aligning the hanger first with just the screws, without the anchors to set the desired placement and angle on your wall. Once you have placed the hanger where you like it, you will remove the hanger from the wall, install the anchors and remount the hanger on the wall. Then and only then can you hang your instrument.



1. Take the body base and place it on the wall where you want the bottom of the guitar and install a screw on one end using a Phillips screwdriver.



2. level the body base with a level and install the second screw.

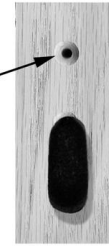


3. Place your instrument on the body base, hold it firmly and find an angle you would like the instrument to be and mark where you want the neck base to be placed. A good point on the neck is anywhere from the body to the 12th fret.

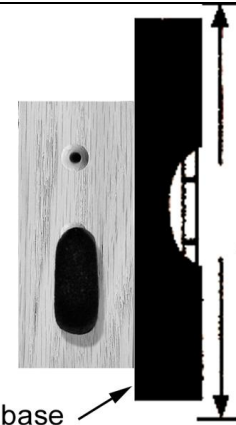


3.5. The instrument can be hung on many different angles. After you find a good spot for your neck hanger. Set you instrument down and start installing the neck base.

install the top screw

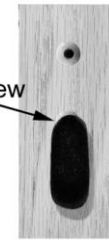


4. Install the top screw of the neck base.



5. Level the neck base with a level.

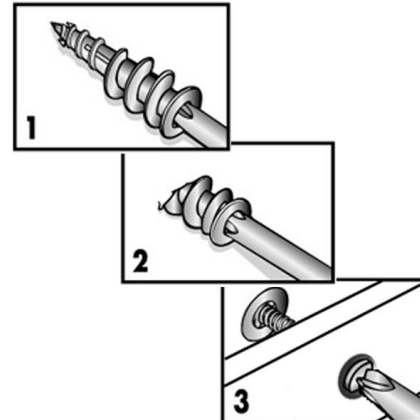
install the second screw



6. Install the bottom screw. Gently set your instrument on the hanger and check for alignment. If you need to change alignment remove the screws and start over at step 3. If alignment is good go to step 7.



7. **WARNING-your hanger is NOT ready to hang your instrument**, it needs anchors installed in the wall. Remove all the screws then install the anchors.



8. Install the drywall anchors in the same holes the screws were in with a Phillips screwdriver.



9. Your hanger is now ready to hang the instrument.